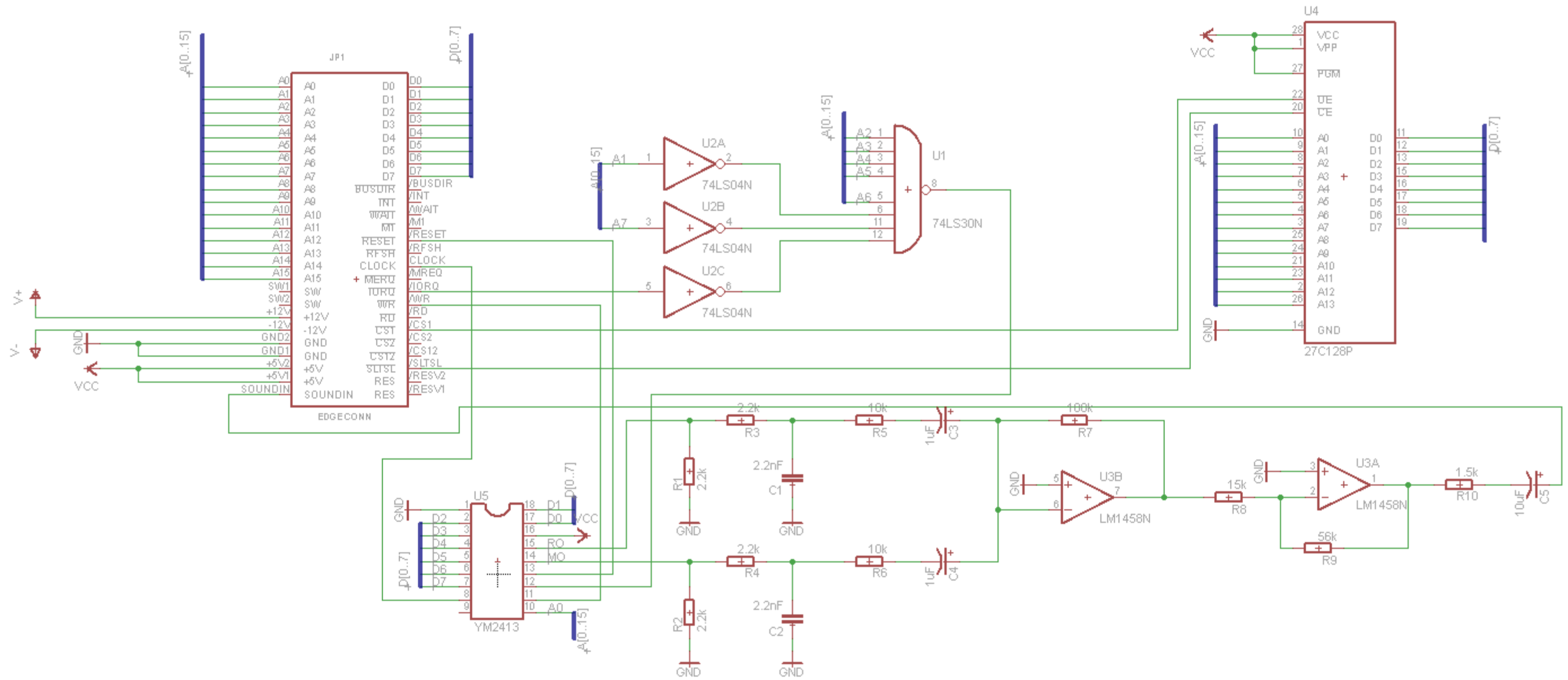


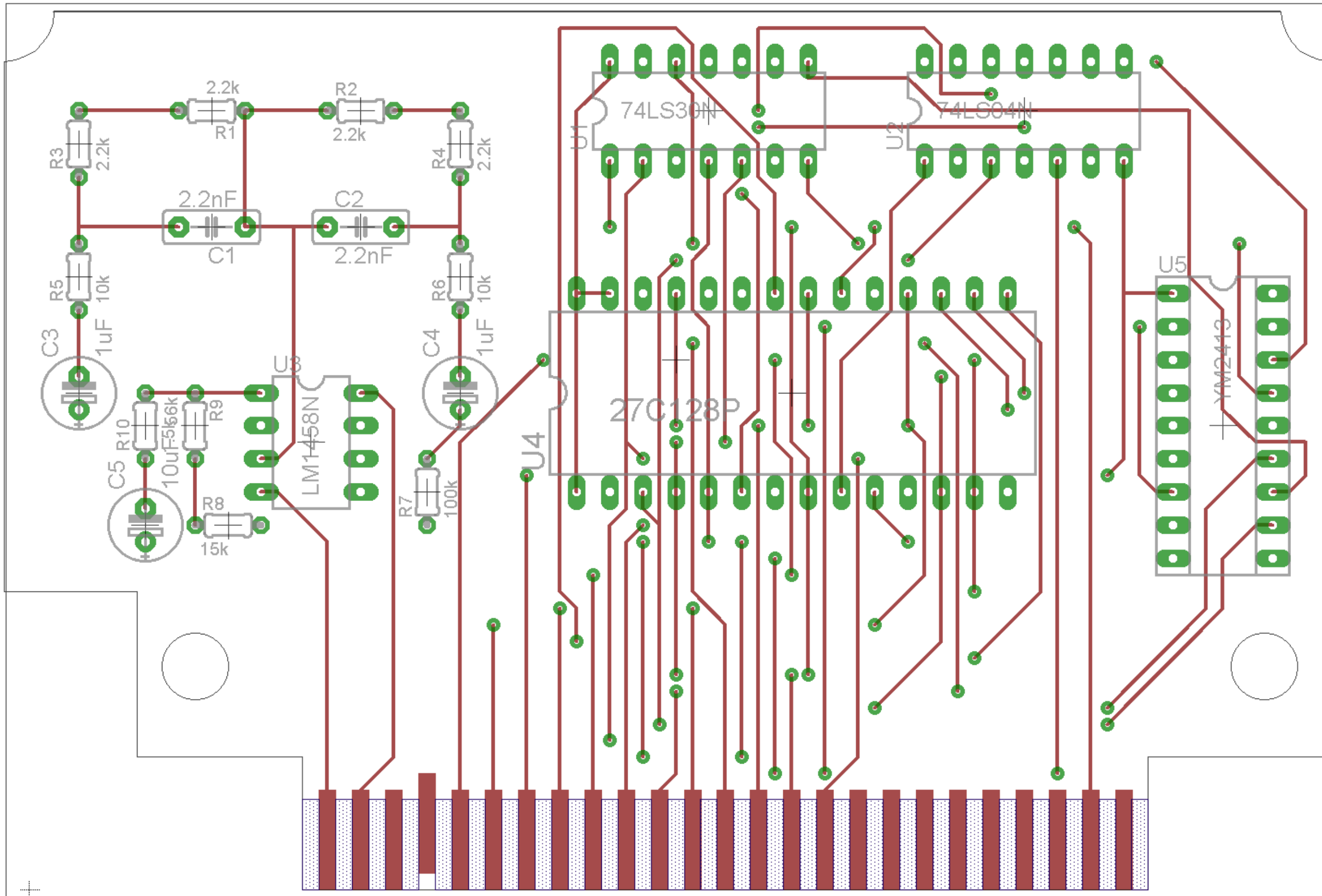
# MSX Music (FM-Pak) without SRAM

Design by Erik Luppés based on schematics from Gilberto D'Osvualdo (<http://gilbertomsx.altervista.org/>)

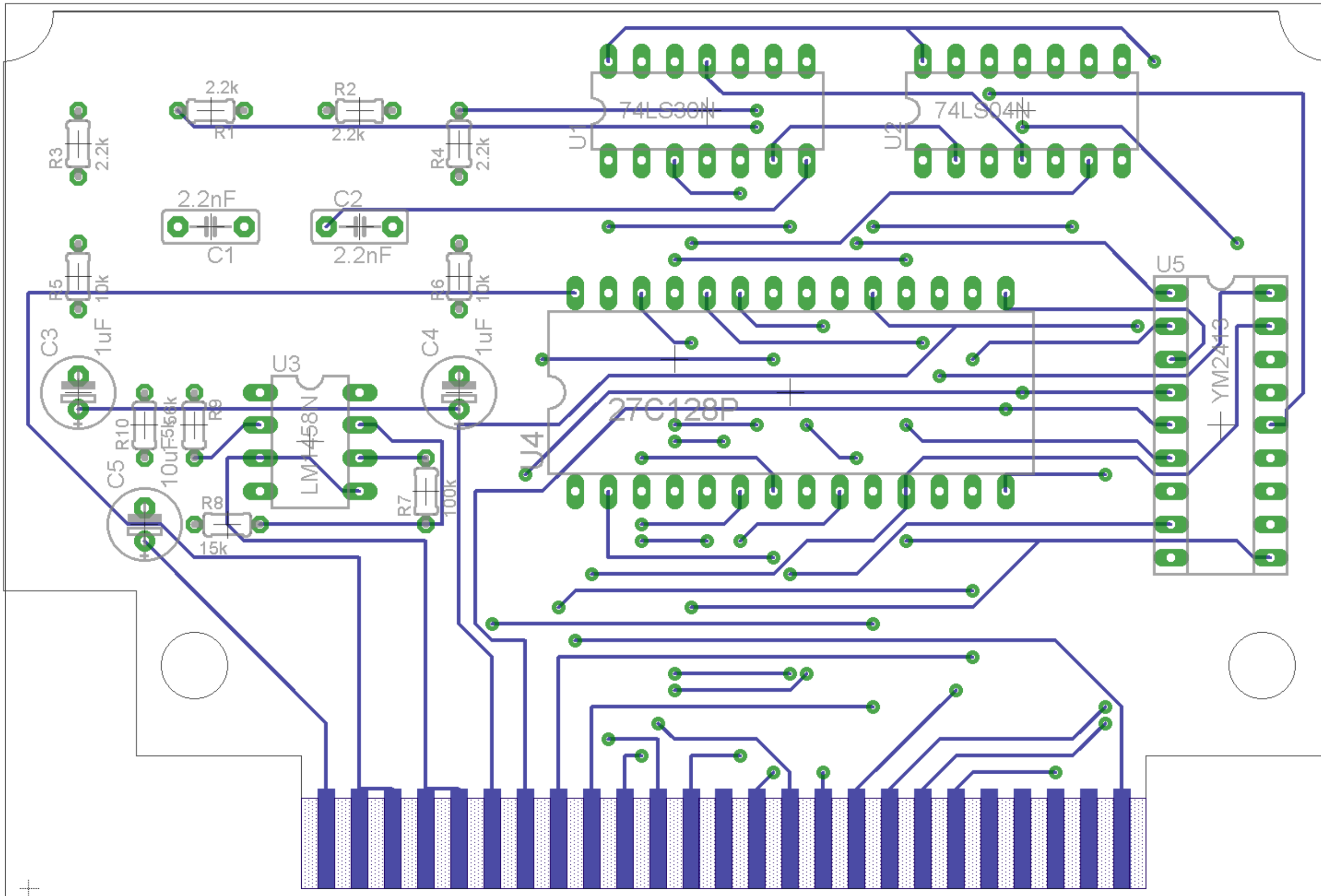
Schematic :



PCB Top:



PCB Bottom:



PCB Parts:

